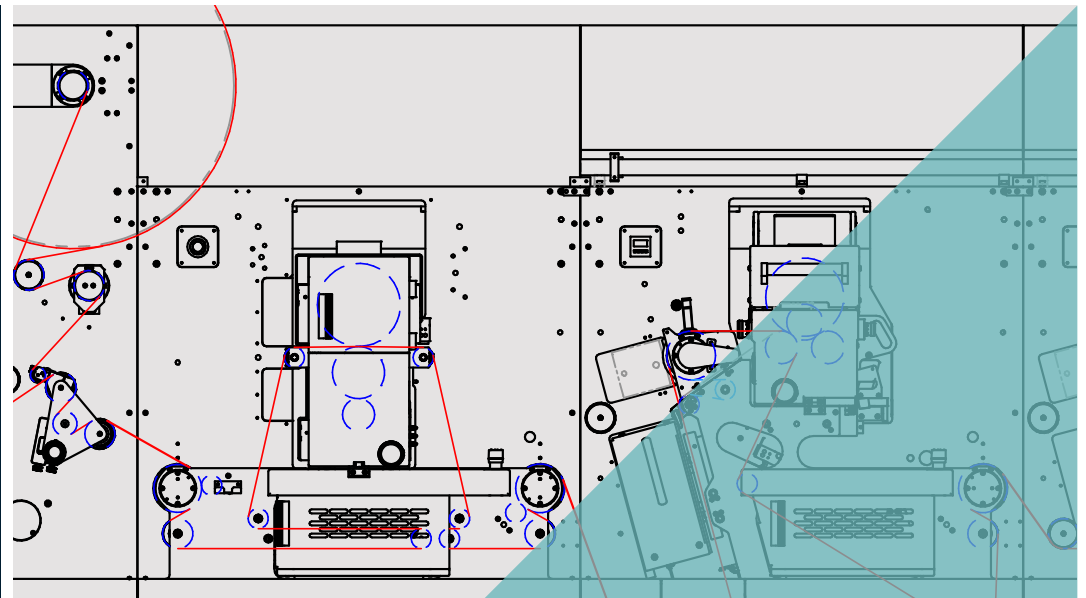


## SUPPLY & SERVICE

**ra** graf

Your supplier for the narrow web industry

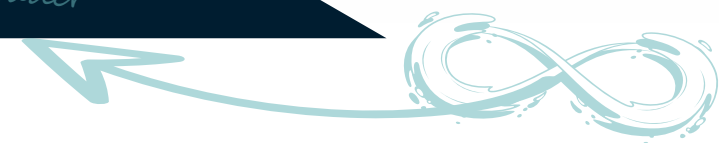


Over 1000 digital machines  
installed worldwide

# DIGICON SERIJE 3



*Leader*



## Add value to your digital printing

Digicon Series 3 systems are modular in design, so that they can be tailored to meet individual needs and create a clear competitive advantage for any printing business.

- |  |  |  |  |  |  |
|--|--|--|--|--|--|
| <b>Accurate</b><br>built with precision to ensure constant results | <b>Flexible</b><br>with modules and options to give you a competitive edge | <b>Easy-to-use</b><br>with intuitive controls and low-cost maintenance | <b>Time saving</b><br>with a wide range of automated functions | <b>Fast</b><br>able to keep pace, inline, with latest digital printing engines | <b>Roll-to-roll or roll-to-sheet</b><br>for any digital printing application |
|--|--|--|--|--|--|



MADE IN UK



### Big Foot 50 tonne

Hot foil/embossing  
Giving excellent hot foil coverage, the Big Foot allows foil to be stamped across and along the web, so you can create high quality unique labels



### Screen module

Give your customers a superior quality screen varnish on their labels with our high speed flatbed screen module



### Autoslit with gap sensor

Speed up job changes with this automatic slitting system that has an inter-label gap sensor



### FAST Track die

The FAST Track die module is a semi-rotary die that runs up to 150 metres per minute



ragraf.com

# DIGICON LITE 3

The Digicon Lite 3 is an entry level, compact digital finishing system built to the same exacting standards as the larger, market leading Digicon Series 3. Capable of running at 64 metres per minute in semi rotary, it can operate in line (right to left only) or stand-alone. It provides an excellent solution for day-to-day applications, and can provide additional capacity at busy times. The Digicon Lite 3 is easy to use and can be specified with a wide range of options to give your business a clear, competitive advantage.



## Features & Benefits

**Cold foiling** - produces a great foil finish with a standard flexo plate

**Super varnish** - produces a premium, high gloss finish

**Autoslit with label gap sensor** - saves time by automatically setting knives

**Iscore** - saves time by automatically setting back scoring knives

**Sheeter** - enables you to finish sheets as well as web

## Technical Specification

Maximum web width	350mm (13.8")
Maximum speed	Full rotary - 150m/min (492ft/min) Semi rotary - 64m/min (210ft/min)
Maximum unwind roll diameter	800mm (31.5")
Standard unwind mandrel	76mm (3")
Flexographic unit type	Full rotary/Flood coating/Semi rotary
Maximum printing width	330mm (13")
Minimum/maximum plate cylinder	254mm (10")/647.7mm (25.5")
Ink drying	GEW E2C UV drying or hot air
Die cutting unit type	Semi rotary
Maximum die cut repeat	622.3mm (24.5")
Minimum/maximum tool repeat	304.8mm (12")/647.7mm (25.5")
Maximum matrix rewind roll diameter	800mm (31.5")
Maximum rewind roll diameter	600mm (23.6") optional 800mm (31.5")
Standard rewind mandrel	76mm (3")



## **GUIDANCE**

Many years of experiences enable us to provide you with excellent advice in choosing the most appropriate equipment for your processes.

## **SERVICE**

We offer regular preventive inspections, service and maintenance for all the hardware of our suppliers.

## **TRAINING**

We offer trainings for operators for all the hardware of our suppliers during and after the installation.

## **SUPPORT**

We also provide remote support via telephone, email or direct machine connections.

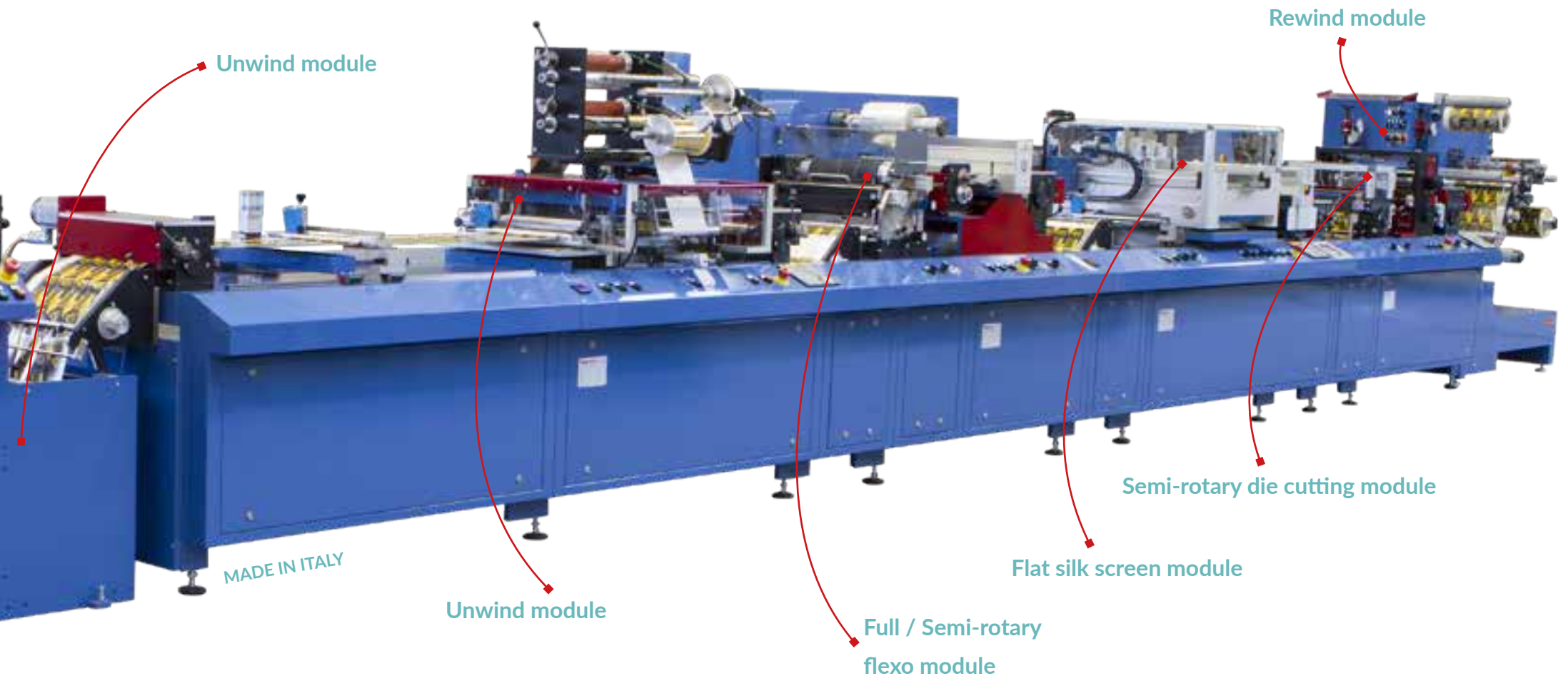
# BERRA

Added value



The Seroflex series machine provides a solution for digital printing requirements. The modular construction enables it to meet the customers' needs and to combine semi-rotary and flat bed

printing technologies. It is also possible to increase the machine's capabilities with additional units at any moment as your job portfolio increases.



Unwind module

Rewind module

MADE IN ITALY

Unwind module

Full / Semi-rotary flexo module

Flat silk screen module

Semi-rotary die cutting module

# SHIKI serije PJ

## High Speed DOD InkJet digital printing machine

In combination with UV-LED curing technology  
On-demand production for short-run variable production to medium-run jobs. Broader media choices without a need for pre-coating. Numerous benefits from the implementation of UV-LED curing system. More simplified and cost effective workflow.

### Print Head

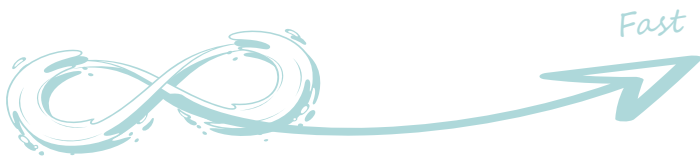
Incorporated in the heart of SHIKI PJ series is the world's fastest Drop-on-demand (DOD) inkjet print head developed by Kyocera. Being a global leader in the piezoelectric ceramic industry, Kyocera applied its proprietary piezoelectric ceramic technology to create a compact piezo actuator, which comprises the very critical element of this print head technology. Each head has 2,656 ink nozzles arranged in a 4.25-inch-wide print line, and offers 600 dpi x 600 dpi high resolution at the high speed.

### Different Ink Drop Sizes

Ink droplet sizes can be selected according to the substrate and the intended design. Variable droplet sizes are from 3pl to 13pl. Having variable drop sizes with its max. resolution of 600x600 dpi, help achieve sharp and high image quality.



MADE IN JAPAN



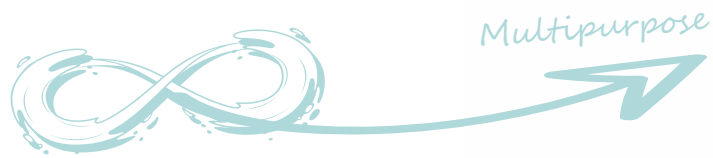
# Amica LPS330

## Versatile UV Inkjet Printing

- UV Ink-Jet Printing with **White + CMYK + Spot + Varnish**
- 3D Effects Printing
- Varnish Printing
- **Roll to roll or table printing mode for objects up to** W-1200 mm x D-350 mm x H-50 mm
- Short & Medium Run Printing
- Variable Data Printing (VDP)

The LPS330 printer is an innovative, versatile, and cost-effective UV-LED inkjet printer for short and medium run jobs. The highly engineered and compact design of the LPS330 printer integrates the functions required for packaging and specialty labels, industrial decorations, and variable data printing applications.

UV inkjet technology means less material pretreatment and less post-print coating work is needed compared with other technologies, such as flexography, gravure, screen printing, and water-based inkjet printing. The LPS330 printer will be the right choice for you to respond to the increasing demands for personalized and custom printing, and sample printing.



MADE IN TAIPEI



# REAJET

Mark your products in high resolution for best readability

The high resolution inkjet printers with HP print technology utilize the thermal inkjet technology that is trusted by millions of users of office printers. The robust stainless steel housing, the intuitive operation and well-conceived print head design make this coding and marking system suitable for unlimited industrial-strength applications. The system particularly proves its worth in the pharmaceutical, food, wood, paper and packaging industries.

The particular strengths of REA JET include the rugged, maintenance-free systems in the REA JET HR series, based on the HP thermal inkjet cartridge. A further bonus is the quick and simple integration into machine control systems. Depending on the resolution and configuration chosen, the high resolution systems permit production speeds of up to 762 m/min.

*Efficient*



## Advantages

- utilizes the HP thermal ink jet technology (TIJ) that is trusted by millions of users of office printers
- maintenance-free – every time you change a cartridge, you receive a new print head
- permanent storage of the various cartridge fill levels
- monitoring of cartridge locking
- highest operational reliability
- lowest (ink) consumption due to precisely scalable font size and rasterization
- state of the art interface technology, for integration into machinery and equipment
- easy cascading of print heads: Due to precise, permanently installed mounting aids the print heads can be easily and accurately cascaded



# TROJAN T2C

*The T2-C is a high capacity tabletop label press.*

Opening new doors in the industry, tabletop label printers cannot compare to the volume, quality and precision offered by the T2-C. Utilizing all the capabilities of the T2 Digital Press, the T2-C easily fits into any size print department, producing consistent, high-volumes at 24/7 production.



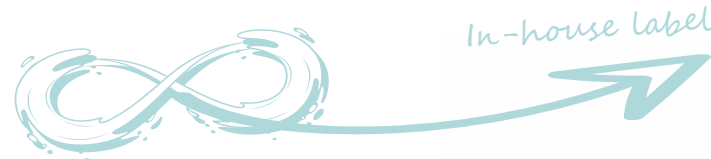
Fast print speed - up to 18 m/min  
Superior print resolution - up to 1600 dpi  
Print width - up to 222,8 mm  
Print length - up to 760 mm  
Ink type - Dye ink, 4 individual 2 liters each CMYK tanks  
Material types - Paper, Inkjet coated gloss paper, PE, PET, PP

# TROJAN T2

*The TrojanTwo is the first serious attempt to offer the market an affordable mini digital press, which has the characteristics of the larger and more expensive systems.*

The press will run at 18 m/min and up to 1600 x 1600 dpi and with sophisticated algorithms and a self-maintaining system it will be able to run larger volumes and maintain high print quality. The TrojanTwo is the most sophisticated digital mini press in the market designed for the label converters.

Fast print speed - up to 18 m/min  
Superior print resolution - up to 1600 dpi  
Print width - up to 222,8 mm  
Print length - up to 760 mm  
Ink type - Dye ink, 4 individual 2 liters each CMYK tanks  
Material types - Paper, Inkjet coated gloss paper, PE, PET, PP



# TROJAN T3-OP

*The T3-OP overprinting system enables high quality, full-color printing directly onto materials.*

with ink receptive surfaces such as cardboard, postcards, boxes, paper bags, wooden planks or thicker objects like blister envelopes or folded boxes ready for shipment. With the T3-OP, it is easy to switch between substrates without making equipment adjustments.

Fast print speed - up to 18 m/min

Superior print resolution - up to 1600 dpi

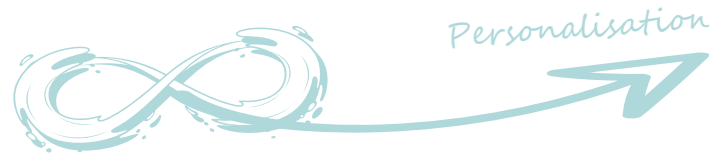
Print width - up to 222,8 mm

Print length - up to 760 mm

Ink type - Dye ink, 4 individual 2 liters each CMYK tanks

Material types - Paper, kraft paper, cardboard, ink absorbing surfaces,

Inkjet coated gloss paper, PE, PET, PP, Tyvek



Personalisation

# BIZPRESS 13R

## 13" SINGLE-PASS LED ROLL-LABEL PRESS

With the most advanced LED printer engine, BIZPRESS 13R provides high quality, high efficiency and low production cost with wider range of compatible substrates.



### INTUITIVE S/W

Easy to handle multiple jobs in integration and advanced settings.



### PERFECT QUALITY

IReCT technology corrects image misalignment digitally in ultra-high precision.



### WIDE RANGE OF MEDIA

Low-temp. fusing, media cooler and ionizer allow wider range of compatible media to print.

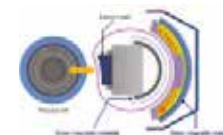
#### Specification

Media width	from 210 mm to 320 mm
Print width	up to 304 mm
Print label length	up to 1,2 m
Printing speed	up to 7,26 m/min
Resolution	1200 x 2400 DPI
Max roll diameter (un-rewinder)	maks. 450 mm (47,2 kg)
Dimensions (H x W x D)	1400 mm x 850 mm x 1600 mm



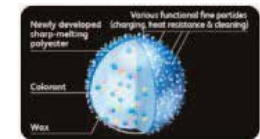
### 1200 x 2400 DPI

The most advanced S-LED and DELCIS technologies are applied on each of 14592 LEDs.



### IH FUSER TECHNOLOGY

This new high-efficiency fusing technology at low temp without need of preheating.



### EA ECO-TONER

Special toner contains low-temp. sharp-melting polyester for photo quality glossy output.

# DUOBLADE SX

## ROLL-TO-ROLL MULTI-BLADE DIGITAL LABEL DIE-CUTTER

DuoBlade SX is the most affordable digital label finishing machine with sophisticated controllability at commercial level quality and speed.

### Specification

Supporting	Corel and Illustrator
Media width	from 40 mm to 340 mm
Max roll diameter (un-rewinder)	maks. 450 mm
Cutting area	320 mm x 420 mm
Cutting speed	up to 5,5 m/min
Rewind speed	up to 80 m/min
Cutting precision	0,2 mm
Dimensions	158 cm x 90 cm x 136 cm



### MULTI BLADE

Faster cutting with up to 4 blades (2 included)



### INLINE COLD LAMINATING

Embedded cold laminating unit.



### REWINDER FOR LAMINATION FILM

Optional rewinder to support type of lamination film that has a back liner.



### INLINE SETTING & SEPARATION

Supporting up to 15pcs slitters (4 included).



### WEB GUIDE SYSTEM

# AccurioLabel 190

## Digital Label Press

The Konica Minolta AccurioLabel 190 offers best in class graphic output, easy color management and operator friendly interaction.

The AccurioLabel 190 is designed to be the first step into the digital label business for commercial printers looking to expand into new markets, converters taking the step into digital technology or brand owners seeking to create a competitive advantage by changing how they view their label sourcing.

### HIGH PRINTING SPEED

- Per-minute speeds of 18.9 m, 13.5 m and 9.45 m
- The fast start up after powering the machine

### OFFSET-LIKE QUALITY

- High-resolution of 1,200 dpi
- Colours are processed at a resolution of 1,200 dpi x 8 bit with 256 gradations expressed in 1 pixel

### HIGH MEDIA COMPATIBILITY AND TENSION CONTROL

- No pre-coating of media is required
- An integrated web guide system allows perfect control of the media feeding process

### STABLE COLOUR CONSISTENCY

- Image density control technology
- Advanced colour management tools
- Simitri® HD E toner technology

### EASE OF USE

- Following on-screen instructions, makes it possible to operate the machine with little time needed for training
- Frees operators for other jobs



# Omega Horizon

Multifunctional table top rewinding solution

The HORIZON bidirectional rewinder is designed for inspection and re-working of single lanes

- Perfect tension control
- Bi-directional web path
- Quick release, adjustable splice table for precise finishing option)
- Simplistic tool-less mandrel exchange
- Unique »soft roll« handling design
- Intuitive touch screen HMI
- Ergonomic design
- Full servo driven
- Standing or seated operation (option)
- Fully integrated 100% fleyeVision inspection (option)
- Height adjustable table (option)
- Fully integrated backside/frontside / numbering, perfect for pharmaceutical applications (option)

## Technical specification

Max running speed	200 m/min
Max web width	210 mm
Min web width	25 mm
Max roll diameter	400 mm
Machine dimensions	1200 × 1200 mm
Machine height (adjustable)	730–1130 mm
Remote diagnostic capability	DA

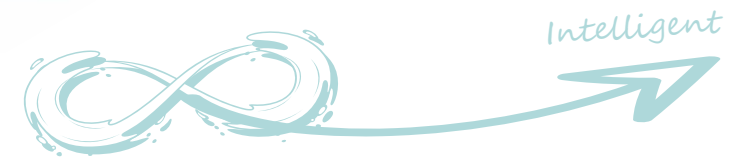


Fully upgradeable from basic rewinding to pharmaceutical workflow



MADE IN UK

# DIGILASE Series 3



The Digilase Series 3 is an innovative digital finishing machine, with state of the art laser cutting technology. Traditional die cutting tools are not required, which saves capital investment, set up time, waste, storage space and the need for heavy manual lifting. This means that both short and long runs can be processed quickly, so that you can offer same day delivery for a wide range of labels.

## Materials:

Polypropylene  
Polyester  
Synthetics  
Paper  
Cardboard

White / Clear  
Glossy / Matt  
Metallics  
Blended PE with PET  
... and more!

## Applications:

Kiss cut  
Marking  
Trough cut  
Hatching  
Perforations Blank Cutting ... and more!



# THE RANGE OF GOOD QUALITIES

## Features and benefits

**Easy to use** - with an intuitive touch screen control, simply download the file from the pre-press department and the Digilase Series 3 is ready to start producing

**Time saving** - there's no need to stop the machine to change dies between jobs. Back scoring and slitting knives can be, as an option, automatically set, enabling changeovers to take place on the fly.

**Precise** - can produce intricate shapes, fine countours, sharp corners and trough cutting, with pin-point accuracy and minimal wastage.

**Intelligent** - with possible MIS integration and job data storage using JDF/JMF files.

**Creative** - there are no limits when it comes to creativity, with kiss cutting, engraving, trough cutting and bit removal.

**Versatile** - it can produce labels on any material, with just two exceptions: PVC and full PE. However blended PE is possible to be laser cut with very high quality result.

**Fast and accurate** - it can run at up to 100 metres per minute, with continuous mode cutting, across a 330 mm web.

**Flexible** - able to run multiple jobs in a single roll.

**100%**

ABG software delivery

more than

**50**

jobs in a single run  
(using rolls of  
1000 linear metres)

**1.30**

minute average, full  
machine changeover time  
(inc. backscore, slitting,  
rewinding)

up to

**100**

metres per minute

**330**<sub>mm</sub>  
web width

the thinnest  
laser beam, only

**120**<sub>µm</sub>

# OMEGA SRI

## The latest generation of label finishing

Innovative features, a high level of automation and advanced motion technology ensure outstanding efficiency and productivity. Even in its basic configuration the SRI has state-of-the-art technology and exciting features:

- Advanced operating system, quality servo drives
- Pneumatic expandable rewind mandrels
- Multilingual HMI, keypad or touchscreen operation
- QuickSetup, Pre-defined jobs and
- JobRepeat (machine and job setup)
- Adjustable end of roll stop
- Web tension fully adjustable
- Adjustable splice table
- Integrated web guide
- Counting options:
  - Number of labels
  - Diameter at rewind roll
  - Web length

Speeds up to 350 m/min

All in one pass: slitting, rewinding, inspecting,  
backside numbering



# Add-ons

The SRI's options are smart, innovative and powerful



# Converter serije 3

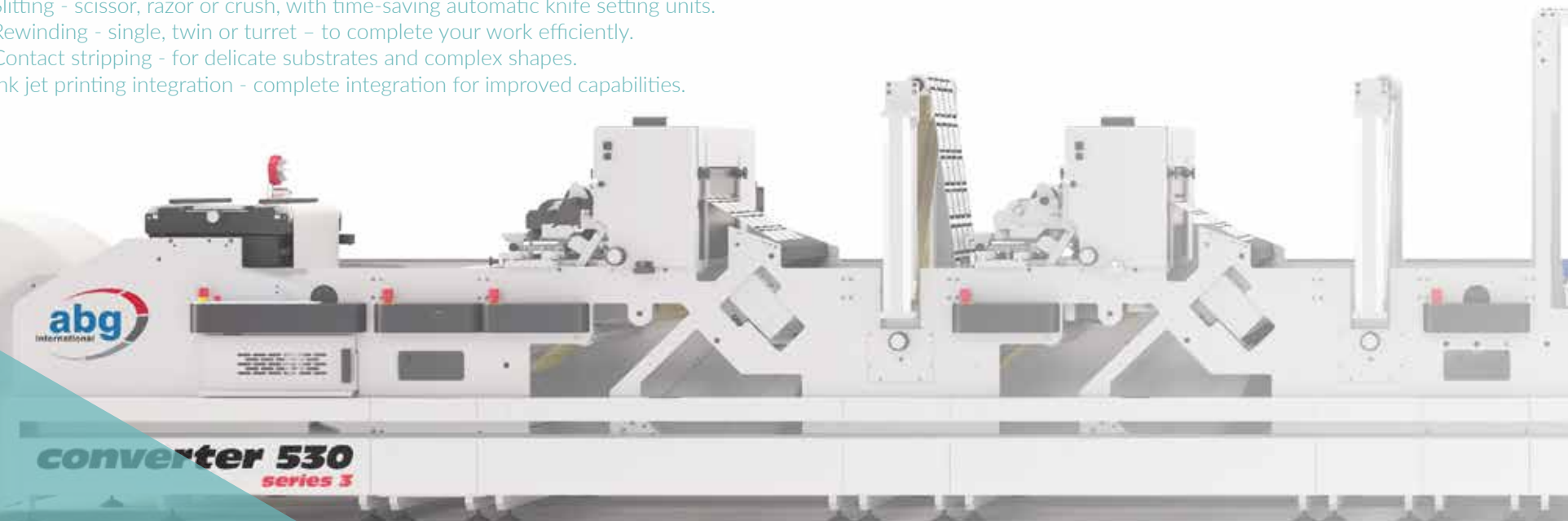
Better still, the quality of each job can be guaranteed by our fully integrated, 100% fleyeVision camera inspection system. And, if customer requirements change in the future, your Converter Series 3 system can be changed too, with a wide range of options and extras that can be retrofitted.

Your investment is therefore secure. Available in three web widths – 330mm, 430mm and 530mm, the Converter Series 3 offers innovative design, first class engineering and proven capability. It can therefore deliver a real competitive advantage to your business.

## Features & Benefits

Innovative features, a high level of automation and advanced motion technology ensure outstanding efficiency and productivity. Even in its basic configuration the converter has state-of-the-art technology and exciting features:

- Versatility - ideal for a wide range of applications and materials.
- Unwinds - available to handle 700mm, 1000mm and 1250mm diameter rolls.
- Rotary die cutting and sheeting unit - with matrix rewind.
- Flexographic coating and printing units - to deliver high quality results.
- UV, IR or hot air driers - flexible curing options for all applications.
- Bulk waste rewinding - for quickly removing large areas of waste.
- Lamination - under, over, delamination and re-lamination modules, as well as web turn bars.
- Slitting - scissor, razor or crush, with time-saving automatic knife setting units.
- Rewinding - single, twin or turret – to complete your work efficiently.
- Contact stripping - for delicate substrates and complex shapes.
- Ink jet printing integration - complete integration for improved capabilities.



# Vectra Turret Rewinder

ABG range of Vectra Turret Rewinders is the most advanced in the world. Developed over many years by working closely with our customers to meet individual requirements, their design, engineering and capability have been tried, tested and proven.

Able to work in-line, or off-line as a stand-alone solution with a separate unwind module, Vectra Turret Rewinders enable you to finish your customers' jobs quickly, offer shorter lead times, reduce your inventory to improve cash flow and cut waste.

## Vectra Turret Rewinder



# Stanford/AccraSeam

## *The Most Advanced Shrink Sleeve Seamer in the World!*

The AccraSeam™ is the fastest on the market and accurately seams material and holds industry lay-flat tolerances at 600 m/min.

The AccraSeam™ is equipped with fully automated layflat adjustment, servo-based tool positioning, and a compact ergonomic frame with fully cantilevered design allowing for excellent operator access and the ability for quick change overs. This reduces setup times to 15 minutes or less, saving time and valuable material.

An optional layflat quality check system that provides on-machine printed reports for each roll. We understand that a machine will only run as good as the operator can use it. All machine functions are integrated into a single, easy-to-use touchscreen.

### Features:

- Fully automated layflat adjustment with precise servo-controlled movement
- Servo solvent dispense system precisely adjusts the flow of solvent during acceleration and deceleration
- Touch-of-a-button cleaning of the solvent system
- Forms and seals PVC, PETG, OPS and PLA films

### Technical specification

Min Layflat width	50 mm
Max Layflat width	305 mm
Max web speed	600 m/min
Max Unwind diameter	610 mm
Max Rewind diameter	610 mm
Tension	0,26 kg/cm
Total min tension	1,7 kgf
Shaft options	76,2 mm, 127 mm, 152 mm [3", 5", 6"]
Solvent options	Table Needle [Standard] Table Wick Rear Wick Rear Needle



**Up to 600 m/min!**

MADE IN USA

# Stanford/AccraSeam RT<sup>3</sup>

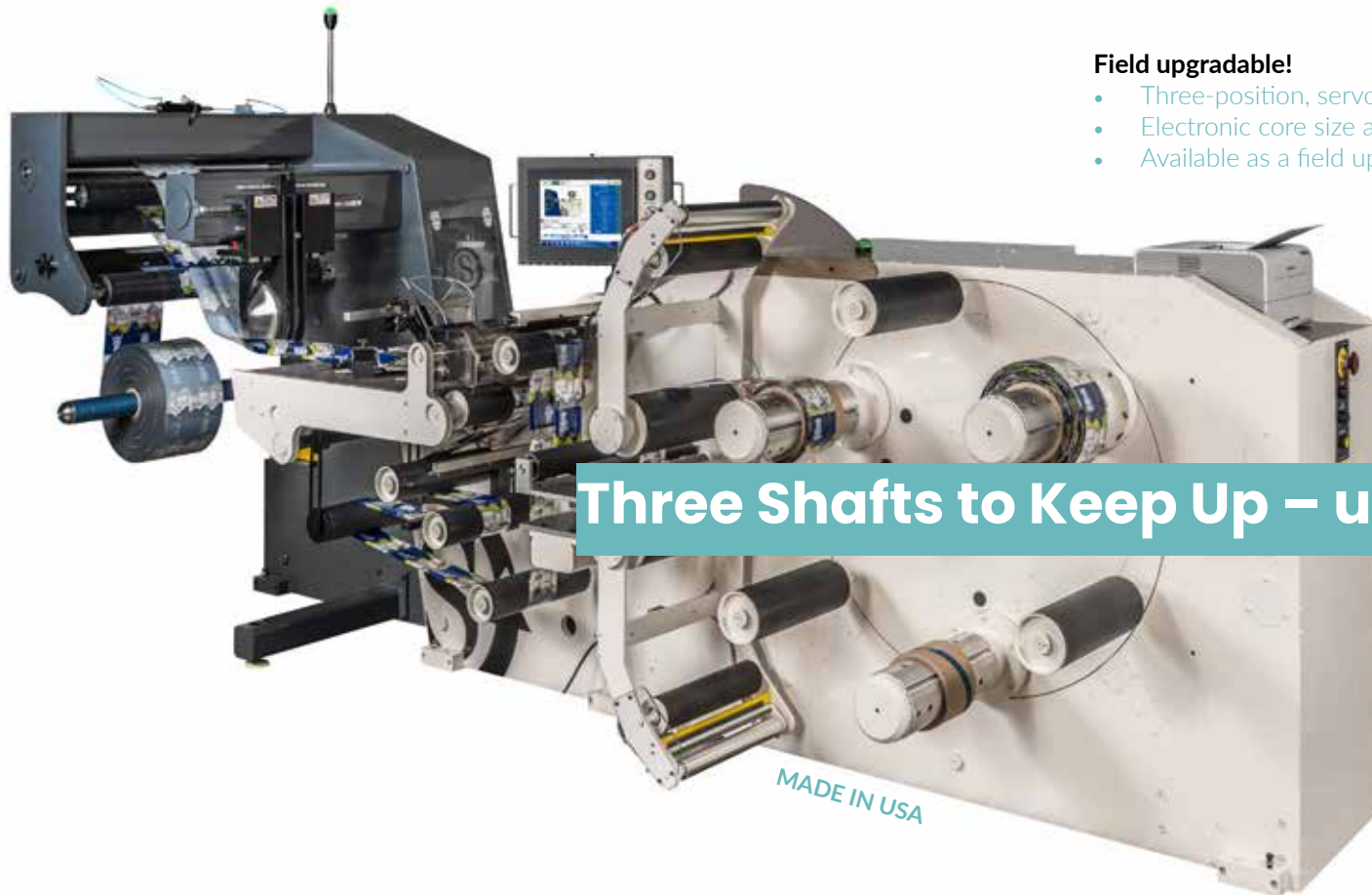
## Rewind Turret Shrink Sleeve Label Seamer

With the addition of the RT3, the AccraSeam™ becomes a continuous operation rewind. The unique three shaft turret provides time for operators to load rolls at speeds up to 600 m/min.

By indexing the solvent gap to another roll and running on a clean core, 95% of the output can be shipped directly. Flange-mounted rewind shafts and electronic core offset allows operators to quickly change from one core size to another.

### Field upgradable!

- Three-position, servo-driven continuous operation turret rewind
- Electronic core size adjustment
- Available as a field upgrade to all AccraSeams



**Three Shafts to Keep Up – up to 600 m/min!**

- Ultrasonic sleeve-width measuring device provides precise layflat monitoring
- On-machine layflat reporting and print-out for each roll
- Intuitive touchscreen controls with unlimited recipes
- Internet based remote diagnostic with WiFi capability

# GEW ArcLED® Hybrid UV Curing Systems

*TWO UV Curing Technologies  
ONE RHINO Power Supply*

ArcLED allows use of a conventional UV mercury arc lamp or LED (light emitting diode) array on the same print unit. Both arc and LED cassettes are compatible with the same power supply and fit in the same housing for ease of change. The RHINO control enables any combination of curing technologies to be used on the same press. ArcLED allows seamless switching from DC power for the LEDs to high voltage AC for the arc lamps and vice versa. RHINO ArcLED is extremely energy efficient showing considerable energy savings when compared to conventional electronic power supplies.

An investment now in ArcLED UV curing protects that investment into the future by ensuring an LED upgrade can be simply and cost effectively implemented. It also gives the possibility to run a fully flexible hybrid curing system.







## GEW LW2 LED UV curing

- Highest UV intensity on the market
- Gives the most reliable operation and fastest support on the market
- Supports the fastest printing speeds – up to 2 times on silicone and base white
- Continuous online monitoring of lamp/LED characteristics
- Easy to upgrade and retrofit: fully compatible with any E2C system with RHINO, just swap cassettes
- Low maintenance: no shutters, no reflectors to change, no moving parts, no lamps to replace
- Water-cooled design for higher power levels and reliability
- Cassette-based LED array with easy access for cleaning or inspection
- Uniform UV output and wavelength across the curing area
- Long-term consistent output over the full life cycle of the LEDs

### Specification

Wavelengths	385, 395 or 405 nm
UV irradiance	<22W/cm <sup>2</sup> or <27W/cm <sup>2</sup>
Width	<2.4m (94in)
Compliance	CE
Operating temperature	5 to 40°C (41 to 104°F)
Operating humidity	Non-condensing
Durability	<20,000h
Cooling	Water
System Warranty	5 years





## Flexible dies and Magnetic Cylinders

We are an official supplier of flexible dies and Magnetic Cylinders from Rotometrics and Electro Optic.

Thin liners, high accuracy, and tight tolerances are just the beginning with flexible dies. With the widest selection of flexible dies from a single source.

## Solid Dies

RotoMetrics solid die portfolio is unique and customized to offer the best solutions for even your most complicated jobs.

They custom engineer and manufacture over 50,000 solid dies every year using proprietary production technologies, leading manufacturing techniques, exclusive surface treatments and the ability to source the highest grade steel.



## Cheshire Anilox

Cheshire Anilox Technology is a manufacturer of superior laser engraved ceramic Anilox rolls that improve the printing process.

### Improved ink release

By stretching the cell shape the laser no longer focuses at the base of the cell, which in the past had created the conical effect. Instead the new technology multi-hits the cell walls creating a boat-shaped cell which is vastly more efficient at releasing ink, completely eradicating the cleaning problem of the past and allowing the printer to use a finer Anilox without loss of density or volume.

Ultra fine line counts without loss of density Increased colour strength can now be achieved using finer anilox roll cell counts to maximize print quality and improve ink mileage.



*Precise and durable*

A decorative graphic element consisting of a teal arrow pointing left, followed by a stylized infinity symbol.

# Consumables



Inks

We are an official supplier of flexo and letterpress inks for applications ranging from self-adhesive & shrink sleeve labelling to in-mold labelling and flexible packaging from Paragon Inks.



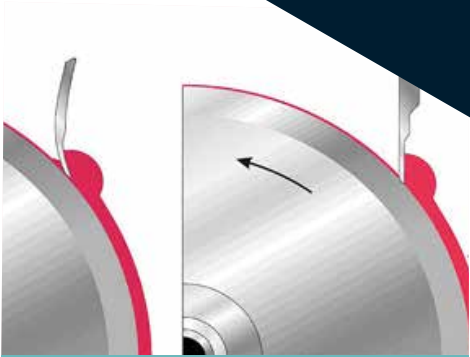
UV lamps

We are an official supplier of GEW UV lamps, LED lampheads and all consumable spare parts for GEW systems.



Screen printing

In addition to narrow web screen printing equipment we also supply a complete range of high quality screens and screen making equipment. Our screens come in various sizes, pre-coated or basic, press ready and with the most sophisticated designs.



## Doctor blades

Doctor Blades for flexo printing, tampon printing and gravure; different sizes and materials.

- steel or stainless steel with different hardness or with ceramic coating
- plastic blades made of polyethylene or polyester

Height dimensions from 10 to 90 mm and thickness from 0.08 to 2 mm - different profiles:



## Flexo plate mounting tapes

We can offer you high performance plate mounting tapes for all letterpress and flexographic plate mounting applications.



## Cleaning rollers and foils for SDI as well as all other contact cleaners. Continuous or cut to size.

Applications:

- Printed Circuit Boards
- Graphic Arts
- Glass Manufacture
- Converting
- Reel-to-Reel Printing
- Wood / Laminate Manufacture
- Any application where the removal of loose, dry contamination is essential.



**Single or double-sided contact cleaner**  
**Retrofit or OEM install to any narrow web line**

Applications:

**narrow web printing**

- flexo,
- offset,
- gravure,
- rotary screenprint,
- letterpress

**packaging**

- shrink sleeves,
- blister packs

**PCB production - reel to reel**

- Photomech,
- Exposure,
- AOI

# With you since 1992

*Ragraf provides services in the markets of EU, Serbia, Montenegro, Bosnia and Herzegovina and Macedonia*

## Installation and operator training

We offer installation and comprehensive operator training for all machinery and systems of the brands we represent.

## Servicing and maintenance

Our dedicated service team offers you full support with regular maintenance and services of all machinery and systems from:

- AB Graphics
- Berra
- Accraply
- GEW
- REA JET
- Trojanlabel
- Shiki
- Valloy
- Amica Systems



**Contact :**

T: +386 (0) 3734 0230

F: +386 (0) 3734 0231

Ragraf d.o.o.

Trnoveljska cesta 2h

3000 Celje, Slovenia



**More info :**

[www.ragraf.com](http://www.ragraf.com)

[info@ragraf.com](mailto:info@ragraf.com)

**ra**graf

Your supplier for the narrow web industry